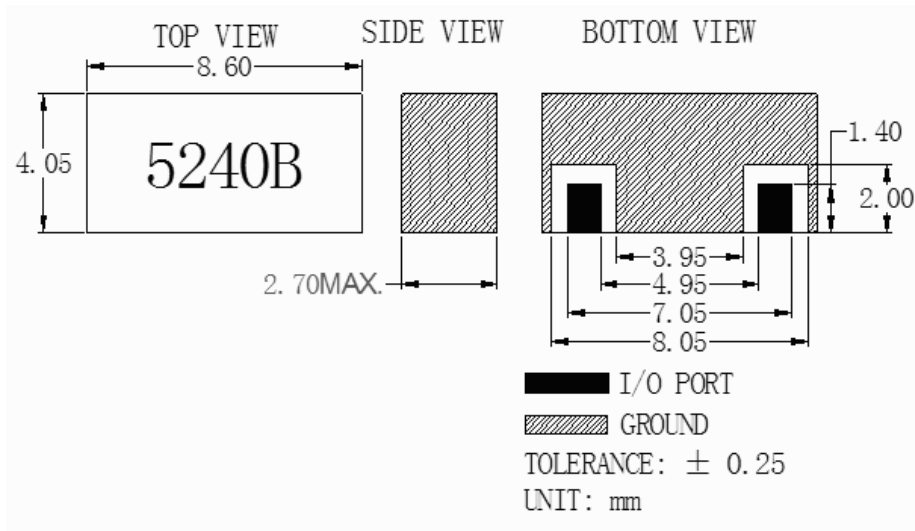


4/JUNE/2019

PRODUCT SPECIFICATION FOR INFORMATION

- Product Name : Mono Block BAND PASS FILTER
- Part No : MBP-5150-5330M-180MM-C

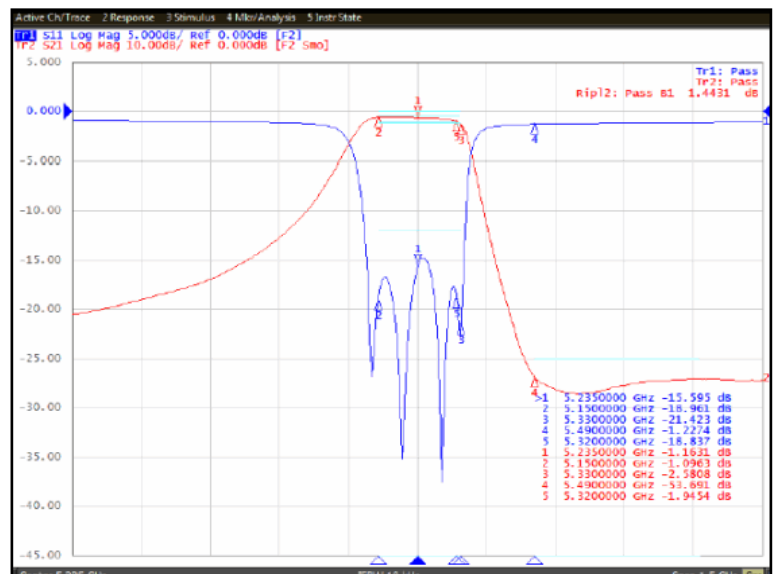
PRELIMINARY SPECIFICATION



[Mechanical 2D Drawing]

■ Electrical Specification

1. Frequency Range : 5150~5330MHz
2. Insertion Loss : 2.8dB Max. @ 5150~5330MHz
3. Ripple : 1.8dB Max.
4. Return Loss : 10dB Min.
5. Rejection : 38dB Min. @ 30~2700MHz
 - 16dB Min. @ 3453~3547MHz
 - 33dB Min. @ 3667~3883MHz
 - 50dB Min. @ 5490~5850MHz
 - 20dB Min. @ 7200~7500MHz
6. Impedance : 50Ω
7. Input Power : 1W CW Max
8. Connectors : SMD
9. Size : See attached dimension.
10. Operating Temperature Range : -40~ +85°C



[Simulation Curve]