

PRELIMINARY SPECIFICATION

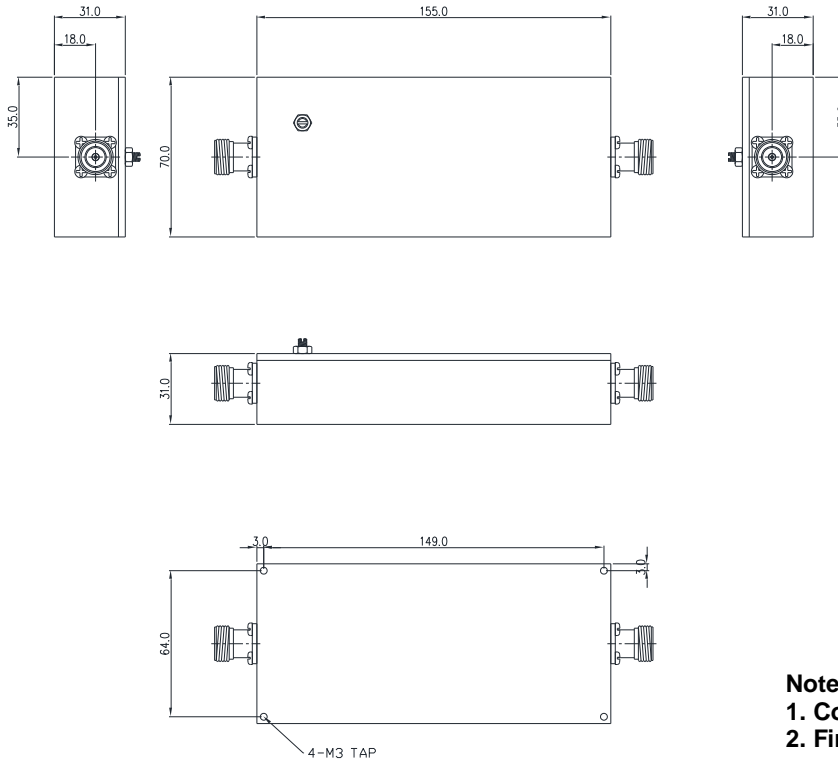
**Product Name : Cavity Band Pass Filter**

**Part No : MBP-C1788\_15MN-A**

	Rev. No.	Description	Date	Author	Final Approver
1	A	Draft	2021.03.24	Bryan Jeon	Michael Jeon

## PRODUCT SPECIFICATION FOR INFORMATION

### ■ Mechanical Drawing



#### Note

1. Connector : N(f)
2. Finish : Black Epoxy

### ■ Electrical Specification

Parameter	Specification	Remark
1. Center Frequency	1788MHz	
2. Frequency Range	C.F ±7.5MHz[1780.5~1795.5MHz]	
3. Insertion Loss	2.8 dB Max.	
4. Ripple	1.8 dB Max.	
5. Return Loss	15dB Min.	
6. Attenuation	10dB Min. @10-1778MHz	
7. Input RF Power	10W CW Max.	
8. Impedance	75Ω	
9. Operating Temperature	-10 + 60°C	
10. Connector	N(f)	
11. Size	155 x 70 x 31 mm	

Remarks: This is a preliminary datasheet for reference. The final performance is subject to the sample.

■ Test Curve

