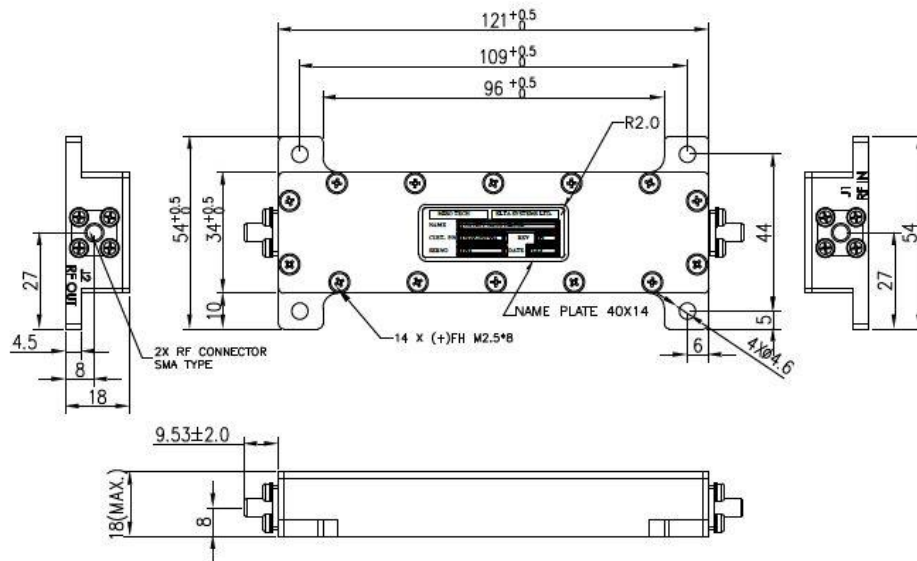


15/MAY/2019

## PRODUCT SPECIFICATION FOR INFORMATION

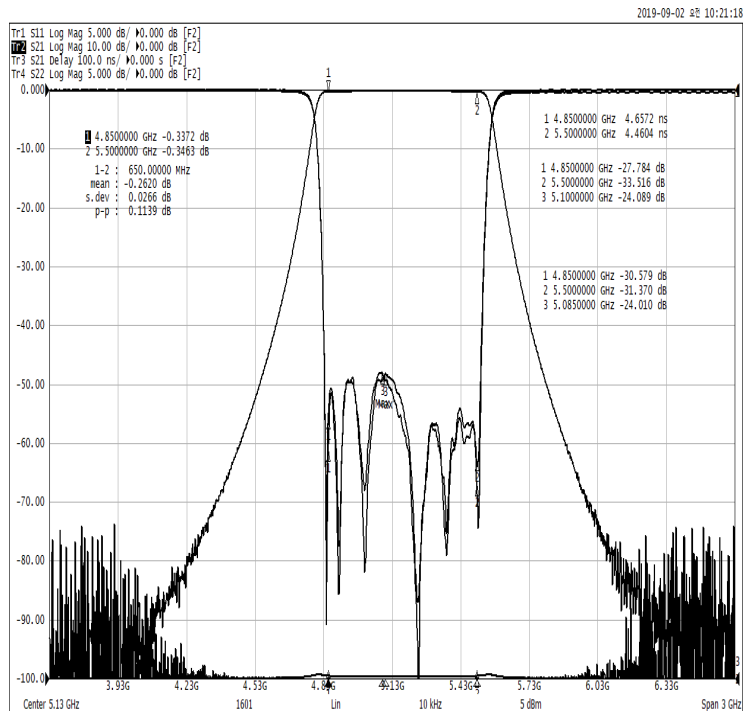
- Product Name : BP FILTER 4.85 5.5GHz
- Part No : MBP-C5175\_650MS-A



[ Mechanical 2D Drawing ]

### ■ Electrical Specification

1. Pass band Frequency : 4850-5500MHz
2. Insertion Loss : 0.6dB Max..
3. Ripple : 0.3dB Max.
4. Return Loss : 18dB Min.
5. Attenuation : 30dB Min. @ 5700MHz  
30dB Min. @ 4650MHz  
60dB Min. @ 6000MHz  
60dB Min. @ 4350MHz
6. Spurious / Harmonics :  
60dB Min. @ 9500~17000MHz
7. Group Delay : 25ns Max.
8. Power Range: 10W
9. Connector : SMA(F)
10. Impedance : 50 Ω
11. Dimension(WxDxH) : 54.0x121.0x18.0 (mm)
12. Operating Temperature : -40°C ~ 85°C
13. Finish : Gray
14. IP rating : IP67



[ Sample Data ]