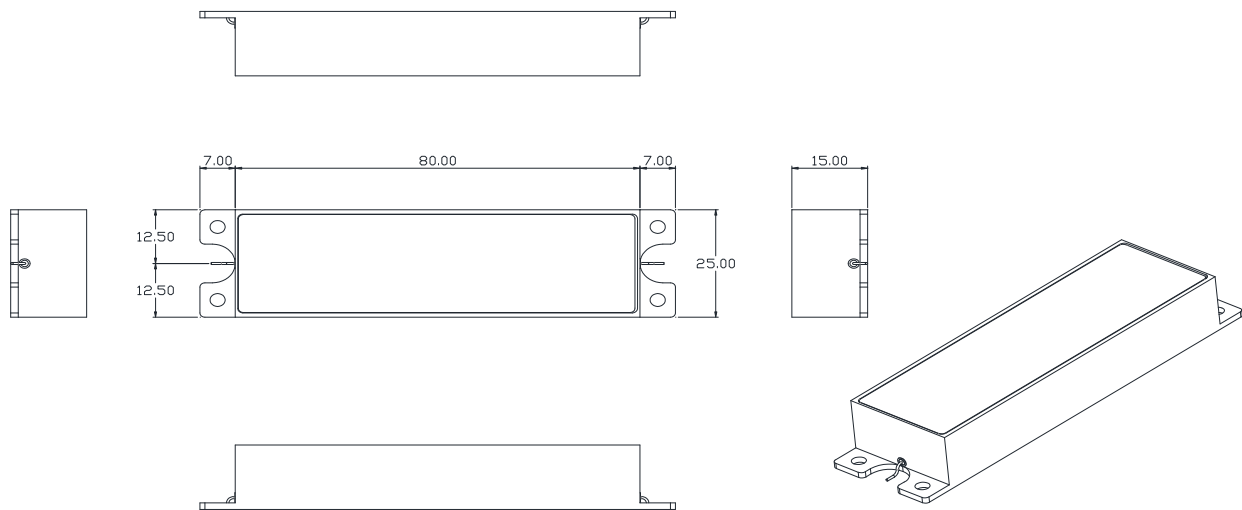
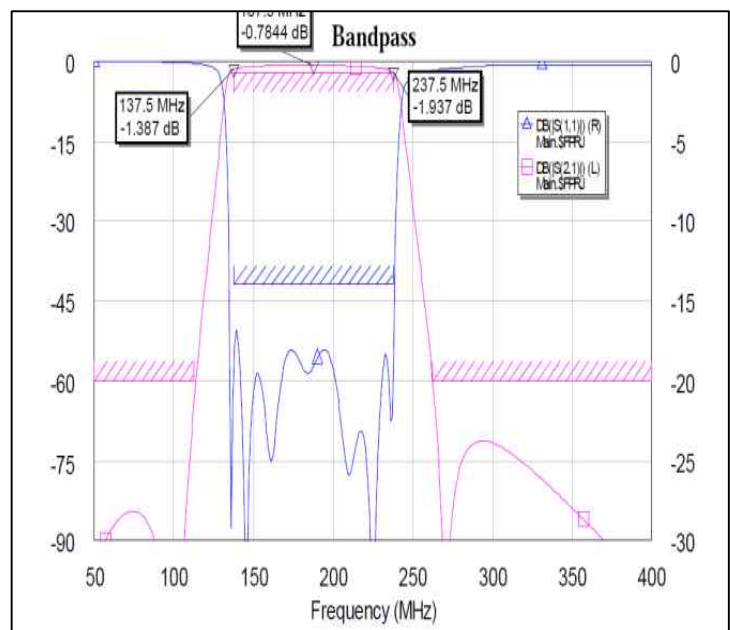


PRODUCT SPECIFICATION FOR INFORMATION

- Customer : Equipements Scientifiques
- Product Name : LC BAND PASS FILTER
- Part No : MLB-187.5BP100M



1. Center Frequency : 187.5MHz
2. 1dB Bandwidth : 100MHz (137.5 ~ 237.5MHz)
3. Insertion Loss in BW : 3dB Max.
4. Ripple in BW : ± 0.2 dB Max.
5. Rejection : 60dB Min. @ 1 MHz to 112.5MHz.
60dB Min. @ 262.5MHz to 4500MHz.
6. Input Power : 1.0W Max.
7. Impedance : 50 Ω
8. Operating Temperature : -40 $^{\circ}$ C ~ +85 $^{\circ}$ C
9. Size : 80 X 25 X 15mm



[PLOT DATA]